

# **SIGNODE** **HBX-4300**<sup>TM</sup> **STAINLESS** **STEEL**

*Semiautomatic stainless steel plastic strapping machine*

**Reliable  
packaging  
under harsh  
conditions**

*for the*  
**Meat, Poultry  
and Seafood**  
*industries*



*Up to 70 straps per minute!*

**SIGNODE**<sup>®</sup>

# SIGNODE HBX-4300™ STAINLESS STEEL

**Semiautomatic stainless steel plastic strapping machine**

The new HBX-4300™ semiautomatic strapping machine is the simplest, most reliable general-duty strapping machine on the market today. With 40% fewer parts and more timesaving features, the HBX-4300 machine simplifies operation and maintenance to save you time and money.

## Unmatched simplicity

The HBX-4300's simple yet durable design eliminates the use of drive belts and clutches. This combined with a number of other features make it easier to operate and maintain than other strapping machines.

- Jam-resistant technology
- Bi-directional coil loading
- Out-of-strap feature
- Fully accessible strap path
- Toolless hot knife removal
- Automatic cut-off and refeed option

## Reliable packaging

Designed for reliable packaging under harsh conditions, the HBX-4300 is built with a number of stainless steel components, making it ideal for packaging applications where corrosion resistance is necessary.

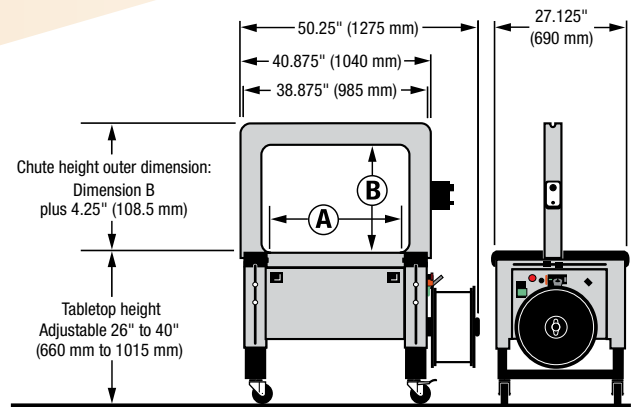
## Stainless steel components

- Frame
- Rear panels
- Dispenser door
- Legs
- Slack box
- Electrical door

### Save on strapping costs with the HB Series plastic strapping

The new HBX-4300 utilizes Signode's newest Contrax® polypropylene strapping. HB Series strapping has the same durable properties as regular Contrax with more strap per coil.

- HB 612 9 mm Contrax coils – 16,000 feet per coil
- HB 812 12 mm Contrax coils – 12,000 feet per coil



**HBX-4300 Chute inner dimensions**

	in.	mm
A*	28	710
B	20	510

\*Inner dimension A is maximum package size.

## HBX-4300 Specifications

**Cycle rate:** Up to 70 straps per minute. Actual production will vary depending on package size, chute size and operator dexterity.

**Maximum package weight:** 100 lbs

**Strapping:** 9 mm or 12 mm Contrax polypropylene strapping

**Electrical requirements:** 120 volt, 60Hz, FLA 7 amp;  
3 phase voltage optional

**Shipping weight:** 600 lbs

## HBX-4300 Options

- Single or dual compression  
Single: Up to 120 lbs at 90 lbs psi  
Dual: Up to 240 lbs at 90 lbs psi
- Indicator light alerts operator to low strap/out-of-strap conditions and machine malfunction
- EZ height adjustable leg kit — 26" to 40" (660 mm to 1015 mm)
- Automatic cut-off and refeed

**The HBX-4300 is also available in an automatic model, the HBX-4330.**

**SIGNODE®**

3610 West Lake Avenue  
Glenview, Illinois 60026  
1-800-323-2464  
www.signode.com